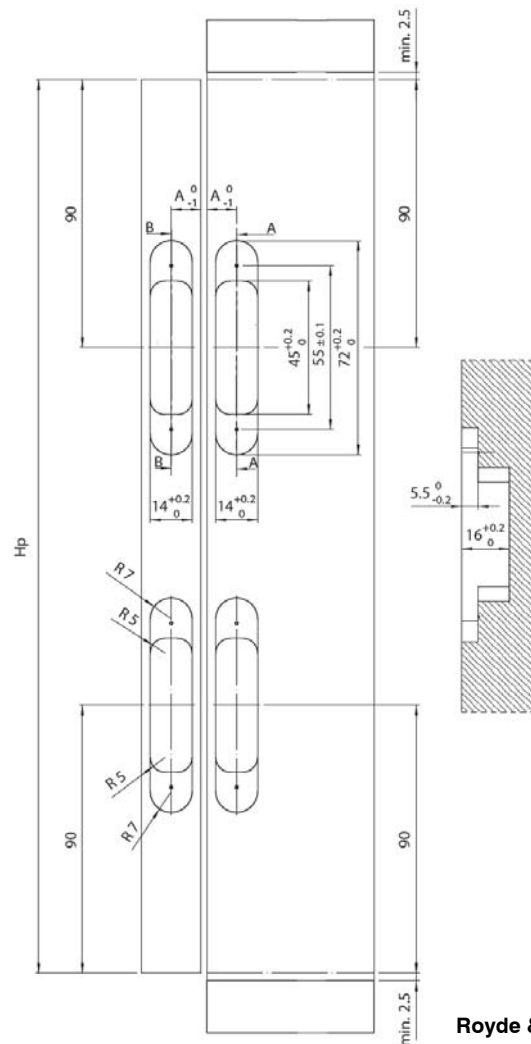
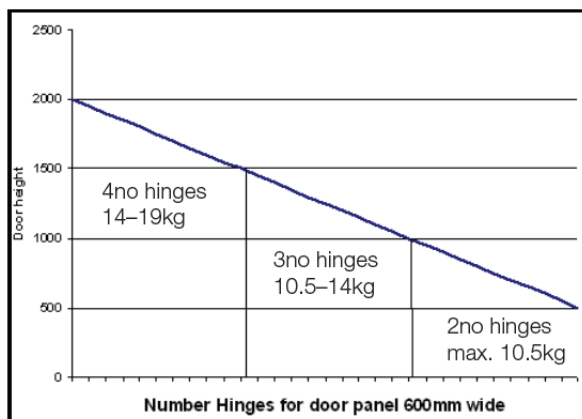
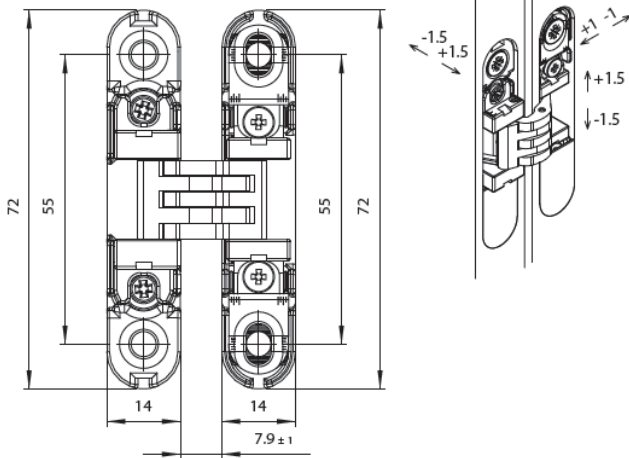


K6100 Concealed Hinge

- 72 x 14 x 16mm fully concealed hinge
- Adjustable on 3 axis
- Minimum door leaf thickness 18mm
- Maximum door leaf weight 19kg (4no hinges)
- Maximum door leaf height 1950mm
- Non-handed
- Zamak body
- Hardened steel pins
- Teflon bearing surfaces
- Installation jig and template: K61 TEMPLATE & HINGE JIG
- Finishes (covers) Panone 877c, RAL 9011 (black)



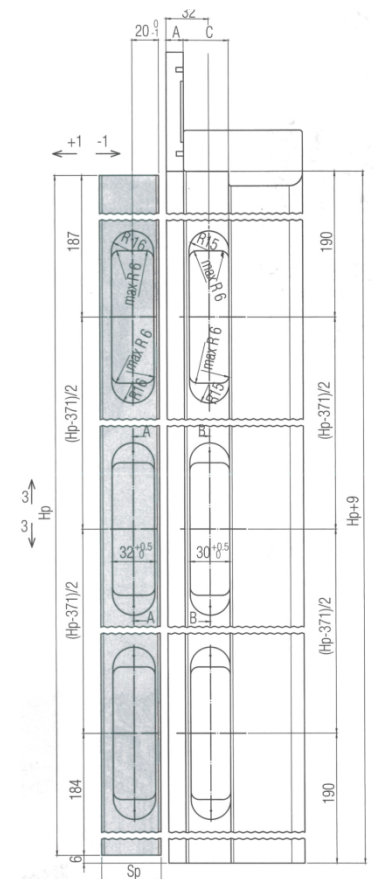
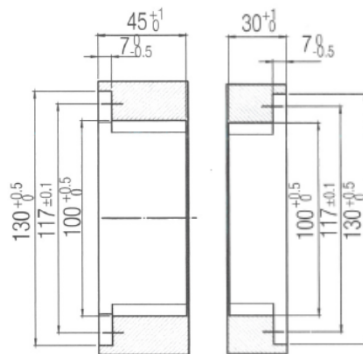
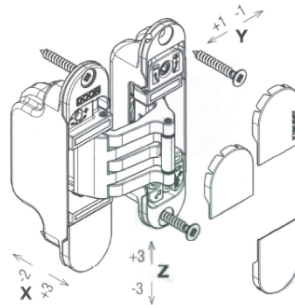
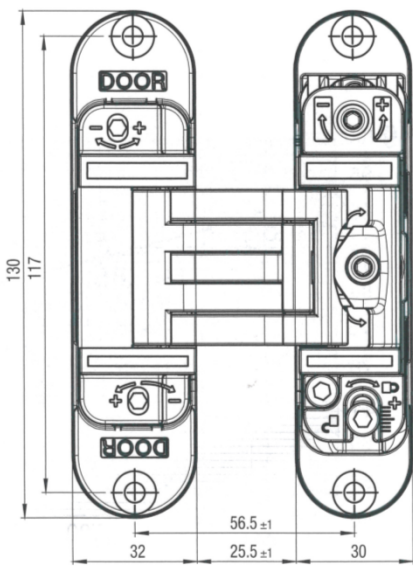
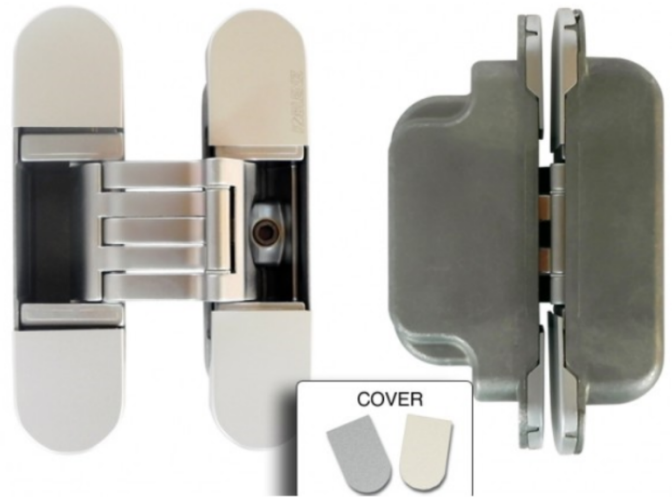
Royde & Tucker Ltd
 Bilton Road
 Cadwell lane
 Hitchin
 SG4 0SB
 Tel:01462 444444
 Fax:01462 444433
 www.ratman.co.uk
 e-mail: sales@ratman.co.uk

Web technical product download sheet Royde & Tucker

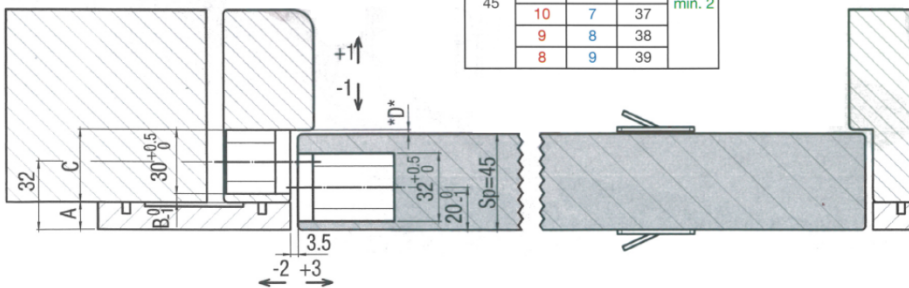


K6300 Concealed Hinge Offset/Flush model

- 130 x 32/30 x 30/45mm fully concealed hinge
- Allows door leaf to throw 180 degrees around architrave (see below for details)
- Adjustable on 3 axis
- Minimum door leaf thickness 40mm
- Maximum door leaf weight 60kg (3no hinges)
- Maximum door leaf height 2100mm
- Non-handed
- Zamak body
- Hardened steel pins
- Teflon bearing surfaces
- Installation jig and template: K63 TEMPLATE JIG
- Finishes: Satin Nickel, Satin Chrome



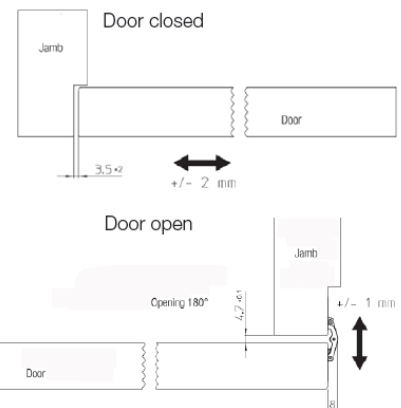
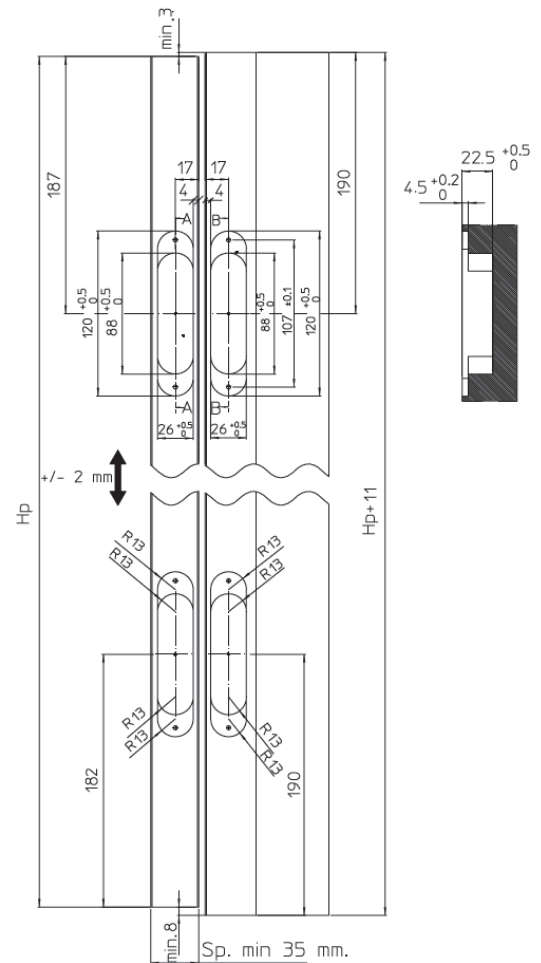
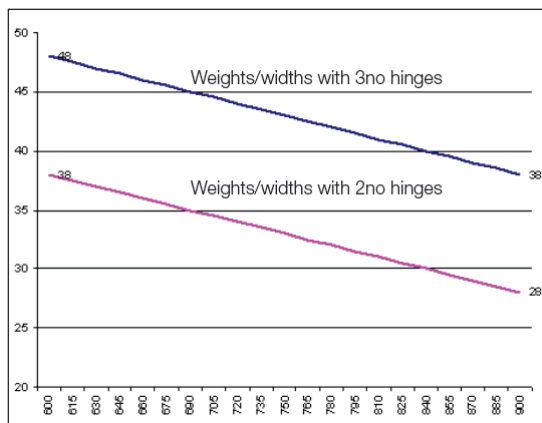
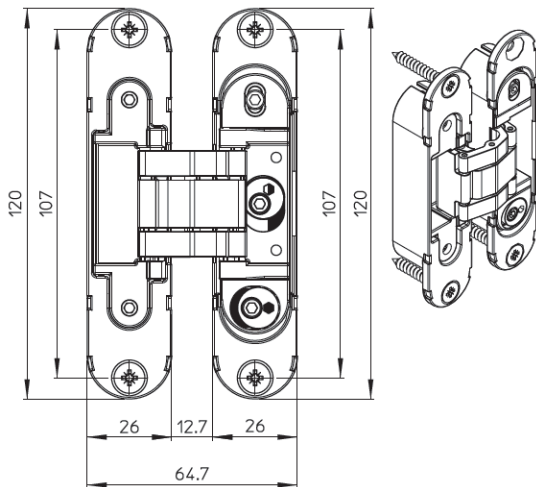
Sp (mm)	A (mm)	B (mm)	C (mm)	*D* (mm)
45	13	4	34	min. 2
	12	5	35	
	11	6	36	
	10	7	37	
	9	8	38	
	8	9	39	



Royde & Tucker Ltd
 Bilton Road
 Cadwell lane
 Hitchin
 SG4 0SB
 Tel: 01462 444444
 Fax: 01462 444433
 www.ratman.co.uk
 e-mail: sales@ratman.co.uk

K7000 Concealed Hinge

- 120 x 26 x 22.5mm fully concealed hinge
- Adjustable on 3 axis
- Minimum door leaf thickness 35mm
- Maximum door leaf weight 48kg
- Maximum door leaf height 2700mm
- Non-handed
- Successfully tested to 200,000 cycles
- Zamak body, hardened steel pins & Teflon bearing surfaces
- Supplied with (CS) Satin Chrome covers as standard
 - Finish options
 - K7000 CL POLISHED CHROME
 - K7000 NS SATIN NICKEL
 - K7000 NO BLACK
 - K7000 OR POLISHED BRASS
- Installation jig and template: K70 TEMPLATE & HINGE JIG

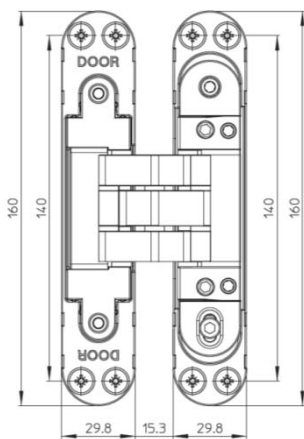
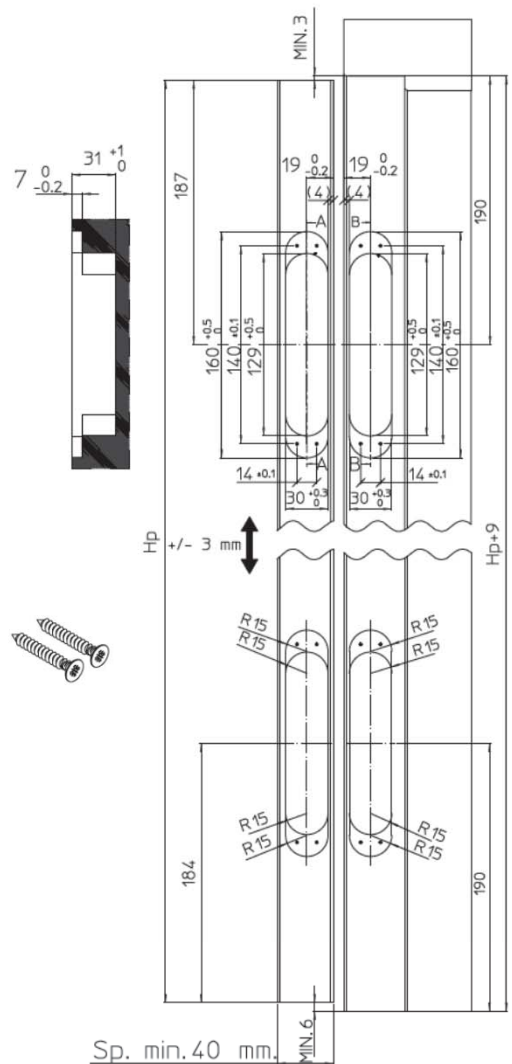


Royde & Tucker Ltd
 Bilton Road
 Cadwell lane
 Hitchin
 SG4 0SB
 Tel:01462 444444
 Fax:01462 444433
 www.ratman.co.uk
 e-mail: sales@ratman.co.uk

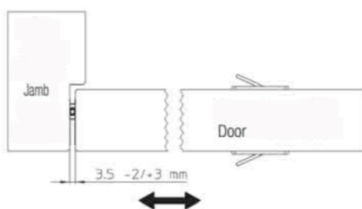
K7080 Concealed Hinge



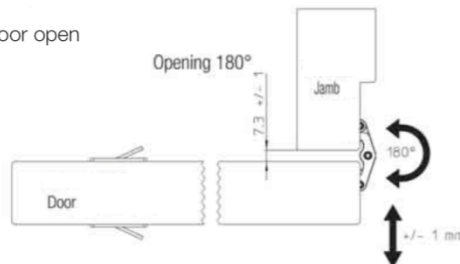
- K7080 DXSX
- 160 x 30 x 31mm fully concealed hinge
- Adjustable on 3 axis
- 180° opening
- Minimum door leaf thickness 40mm
- 3no hinges maximum door leaf weight 100kg up to 900mm wide
- 2no hinges maximum door leaf weight 80kg up to 900mm wide
- Maximum door leaf height 2700mm
- Non-handed
- Tested to CUAP 04.05/12
- Fire tested to E30 – EN1634-1. –FD suffixed parts come complete with intumescent pads and morticed fire bolt
- CE Marked - Certificate 0757-BPR-229-12-012
- Successfully tested to 200,000 cycles
- Zamak body, hardened steel pins & Teflon bearing surfaces
- Supplied with (CS) Satin Chrome covers as standard
- Optional finishes
 K7080 CS SATIN CHROME
 K7080 CL POLISHED CHROME
 K7080 EA STEEL EFFECT
 K7080 NS SATIN NICKEL
 K7080 OR POLISHED BRASS
- Installation jig and template: K708 TEMPLATE & HINGE JIG



Door closed



Door open

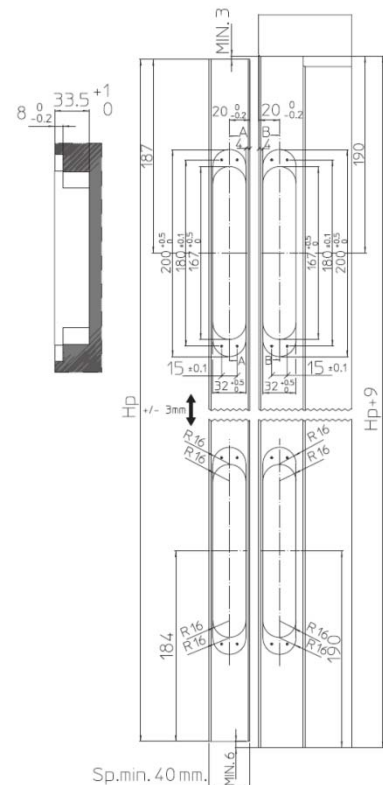
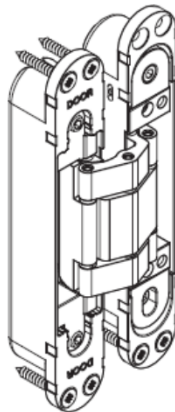
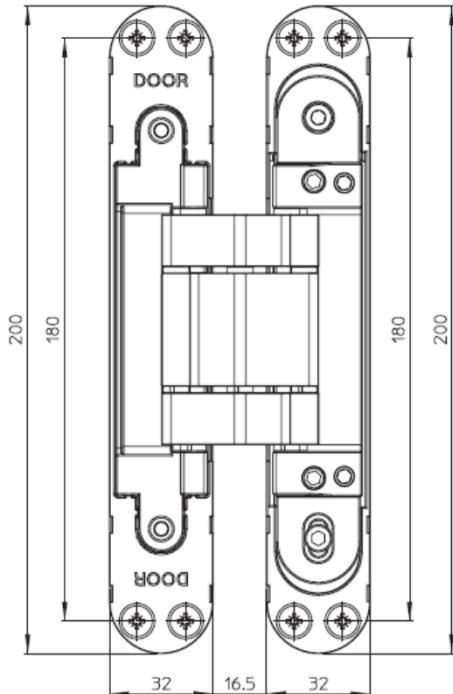


Royde & Tucker Ltd
 Bilton Road
 Cadwell lane
 Hitchin
 SG4 0SB
 Tel:01462 444444
 Fax:01462 444433
 www.ratman.co.uk
 e-mail: sales@ratman.co.uk

K7120 Concealed Hinge



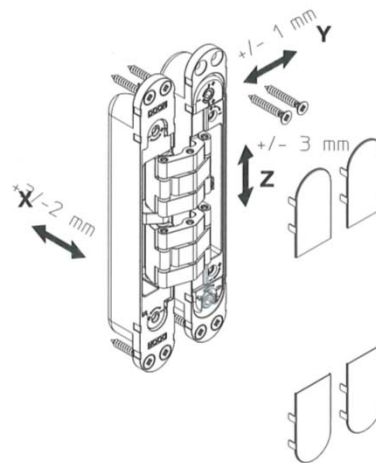
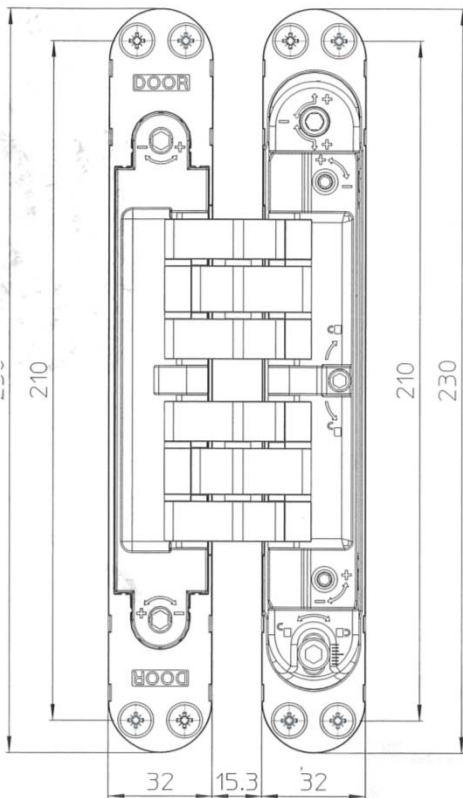
- K7120 CS/NS DX SX
- 200 x 32 x 33.5mm fully concealed hinge
- Adjustable on 3 axis
- Minimum door leaf thickness 40mm
- On 3no hinges maximum door leaf weight 140kg up to 900mm wide
- On 2no hinges maximum door leaf weight 120kg up to 900mm wide
- Maximum door leaf height 2700mm
- Non-handed
- Tested to CUAP 04.05/12
- Fire tested to E30 – EN1634-1 –FD suffixed parts come complete with intumescent pads and morticed fire bolt
- CE Marked - Certificate 0757-BPR-229-12-012
- Successfully tested to 200,000 cycles
- Zamak body, hardened steel pins & Teflon bearing surfaces
- Supplied with (CS) Satin Chrome covers as standard
- Optional cover White (RAL 9016)
- Installation jig and template: K712 TEMPLATE & HINGE JIG



Royde & Tucker Ltd
 Bilton Road
 Cadwell lane
 Hitchin
 SG4 0SB
 Tel:01462 444444
 Fax:01462 444433
 www.ratman.co.uk
 e-mail: sales@ratman.co.uk

K7200 Concealed Hinge

- K7200 CS/NS DX SX
- 230 x 32 x 33.5mm fully concealed hinge
- Adjustable on 3 axis
- Minimum door leaf thickness 40mm
- On 3no hinges maximum door leaf weight 200kg up to 900mm wide
- Maximum door leaf height 2700mm
- Successfully tested to 200,000 cycles
- Non-handed
- Zamak body, hardened steel pins & Teflon bearing surfaces
- Supplied with (CS) Satin Chrome covers as standard
- Installation jig and template: K72 TEMPLATE & HINGE JIG



Royde & Tucker Ltd
Bilton Road
Cadwell lane
Hitchin
SG4 0SB

Tel:01462 444444

Fax:01462 444433

www.ratman.co.uk

e-mail: sales@ratman.co.uk